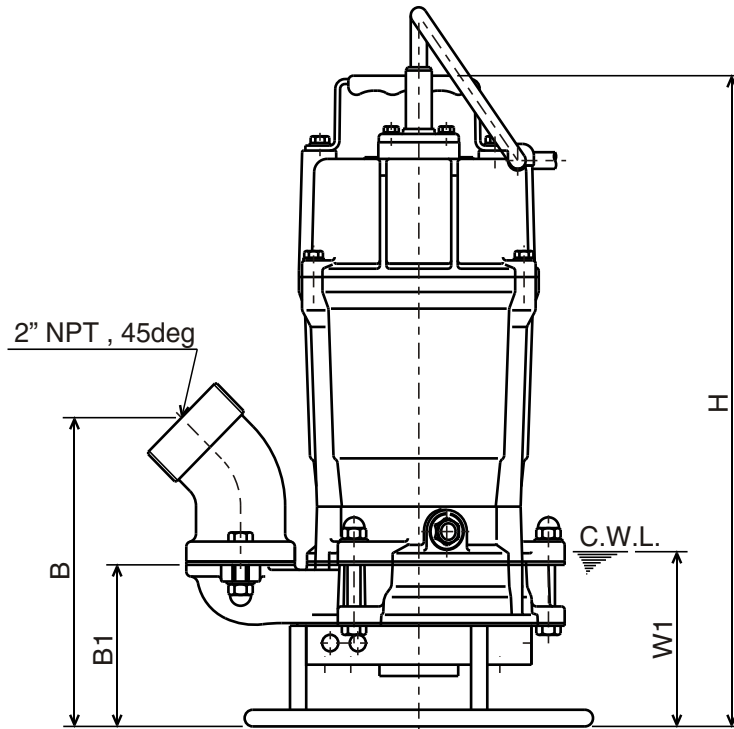
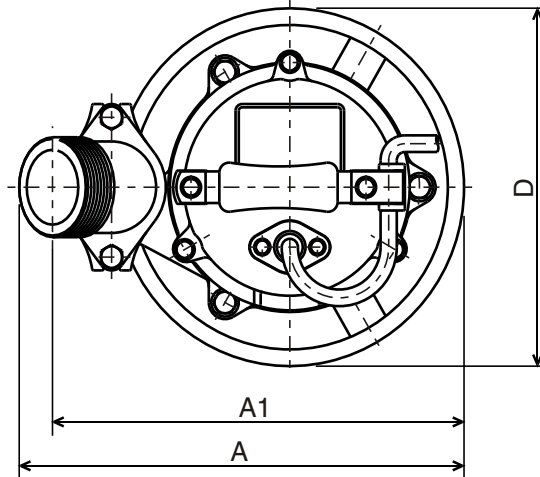


DL1-110 SEMI-VORTEX SERIES DEWATERING PUMP



C.W.L. : Continuous running Water Level

DIMENSIONS:USCS (Inch)

Model	HP	NOM. SIZE	Pump & Motor						C.W.L.	Wt. (lbs.)
			A	A1	B	B1	D	H	W1	
DL1-110	3/4	2"	10 13/16	8 15/16	6 7/8	3 13/16	8 7/16	15 3/8	4 1/8	33

DIMENSIONS:METRIC (mm)

Model	kW	NOM. SIZE	Pump & Motor						C.W.L.	Wt. (kg)
			A	A1	B	B1	D	H	W1	
DL1-110	0.55	50	275	227	175	97	215	391	105	15.0



TOYO PUMPS
NORTH AMERICA CORPORATION

DIMENSIONS DRAWING

DRAWING NO.
A6469

REV.
0