

NDP-25 Specifications

Port Dimensions (46.2 GPM Max.)

Intake & discharge connection:

| | |
|-------------------------------|-----------------|
| Polypropylene (PPG) | 1" Female NPT |
| Kynar® (PVDF) | 1" Female NPT |
| Aluminum (ADC-12) | 1" Female NPT |
| Stainless Steel (316) | 1" Female NPT |
| Cast Iron | 1" Female NPT |
| Air inlet (incl. ball valve): | 3/8" Female NPT |
| Air exhaust (incl. silencer): | 3/4" Female NPT |

ANSI Flange also available — consult Yamada.

Maximum Liquid Temperature*

| Diaphragm Material | Temperature |
|------------------------|---------------|
| Buna N | 180°F (82°C) |
| Neoprene | 180°F (82°C) |
| Santoprene® (TPO) | 180°F (82°C) |
| EPDM | 212°F (100°C) |
| PTFE | 212°F (100°C) |
| Hytrel® (TPEE) | 248°F (120°C) |
| Viton® fluoroelastomer | 248°F (120°C) |

*The maximum liquid temperature for metal and Kynar®-fitted pumps is determined by the elastomer (diaphragm material). Polypropylene pumps have a maximum liquid temperature of 180°F (82°C) regardless of diaphragm material.

Air Supply Pressure (All Models)

20–100 PSI (1.4–7 kfg/cm)

Discharge Volume Per Cycle

Rubber diaphragm: 0.22 gallons (833 cc)

PTFE diaphragm: 0.21 gallons (787 cc)

Maximum Cycles Per Minute

Rubber diaphragm: 210

PTFE diaphragm: 210

Maximum Size Solid

3/16" (4.8 mm)

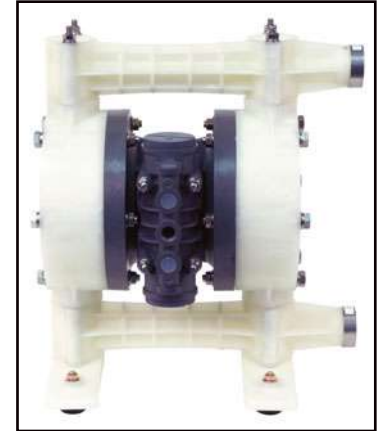
Maximum Dry Suction Lift

Rubber-fitted pump capability: 18-feet

Air Motors: Aluminum air motors are standard on metal pumps; glass-filled polypropylene air motors are standard on plastic and Kynar® pumps.

Optional: Split manifold—contact Yamada

Notes: Santoprene® fitted pumps include EPDM wetted o-rings. Kynar® (PVDF) pumps fitted with Santoprene®, Hytrel®, or PTFE include PTFE check balls & o-rings. Kynar®/EPDM fitted pumps include EPDM check balls & o-rings. Viton® fitted pumps include Viton® balls & o-rings.



Aluminum

Dimensions: 11.30" W × 15.08" H

Net Wt.: 27 lbs. (13.0 kg)

Shipping Wt.: 31 lbs.

Kynar® (PVDF)

ANSI Flange Dimensions:

14.40" W × 17.40" H

NPT Dimensions:

14.40" W × 16.90" H

Net Wt.: 29.7 lbs. (13.4 kg)

Shipping Wt.: 33 lbs.

Polypropylene

ANSI Flange Dimensions:

14.40" W × 17.40" H

NPT Dimensions:

14.40" W × 16.90" H

Net Wt.: 29 lbs. (10.9 kg)

Shipping Wt.: 30 lbs.

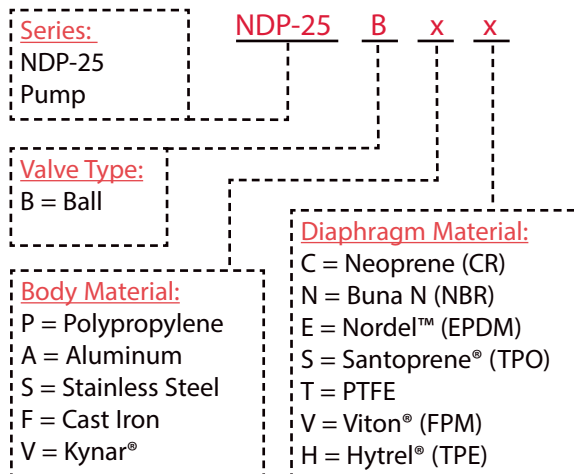
Cast Iron or S.S.

Dimensions: 11.30" W × 15.08" H

Net Wt.: 43 lbs. (19.9 kg)

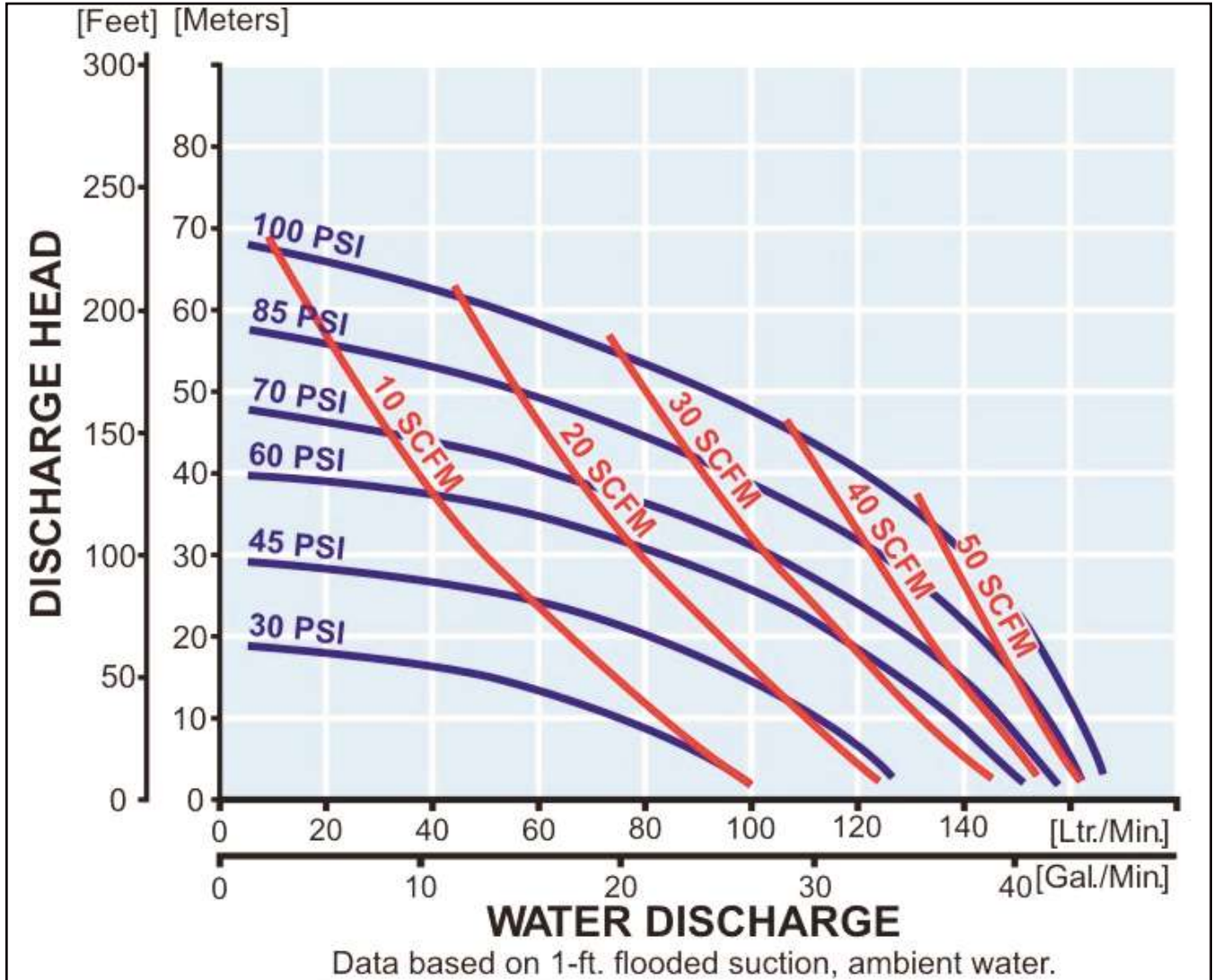
Ship Wt.: 46 lbs.

Model Number Nomenclature



NDP-25 Performance Curve – Rubber

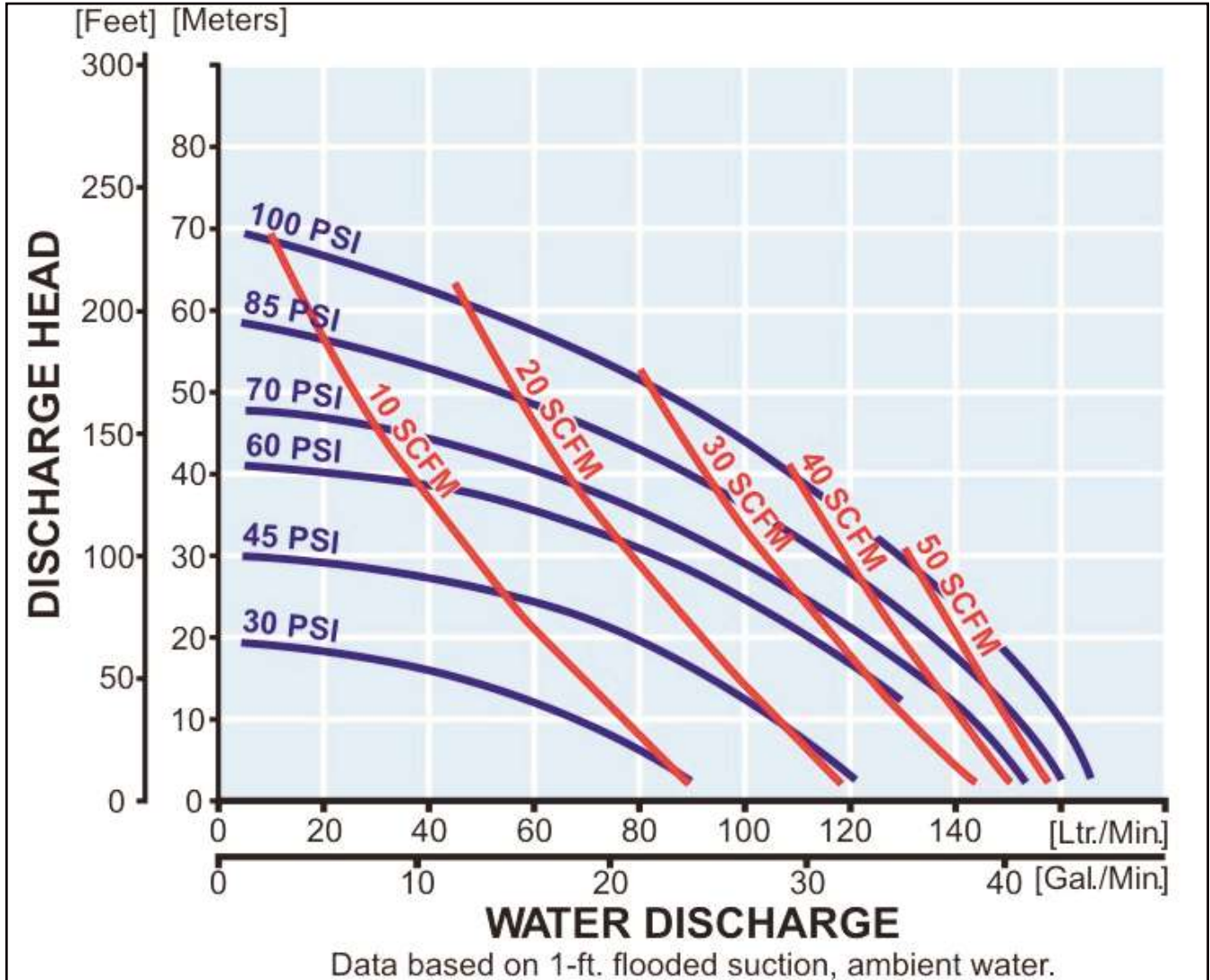
Rubber Diaphragm Performance Curve



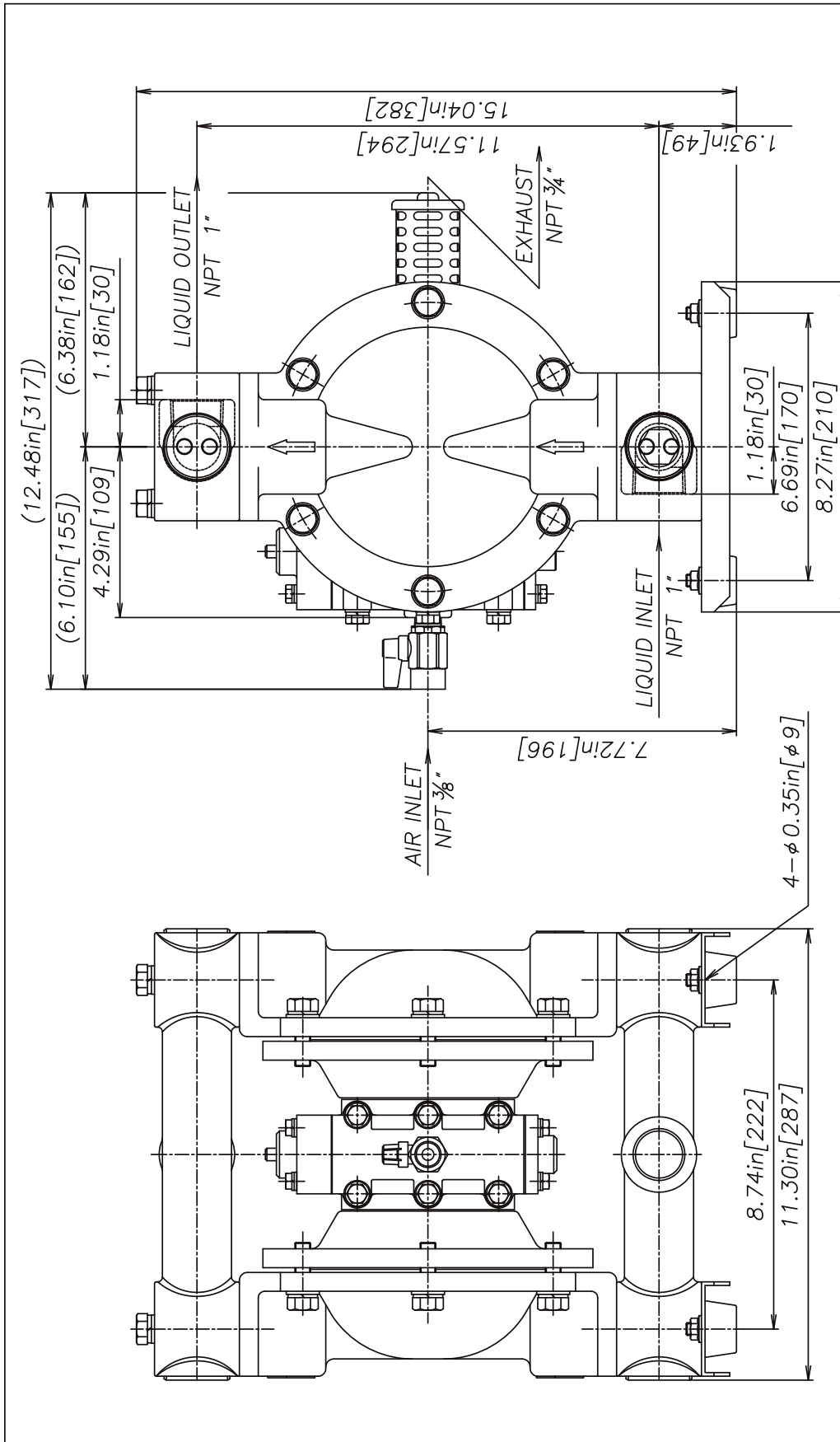
To calculate performance for Santoprene® and Hytrel®-fitted pumps, use Rubber Diaphragm Curve.

NDP-25 Performance Curve – PTFE

PTFE Diaphragm Performance Curve



To calculate performance for Santoprene® and Hytrel®-fitted pumps, use Rubber Diaphragm Curve.



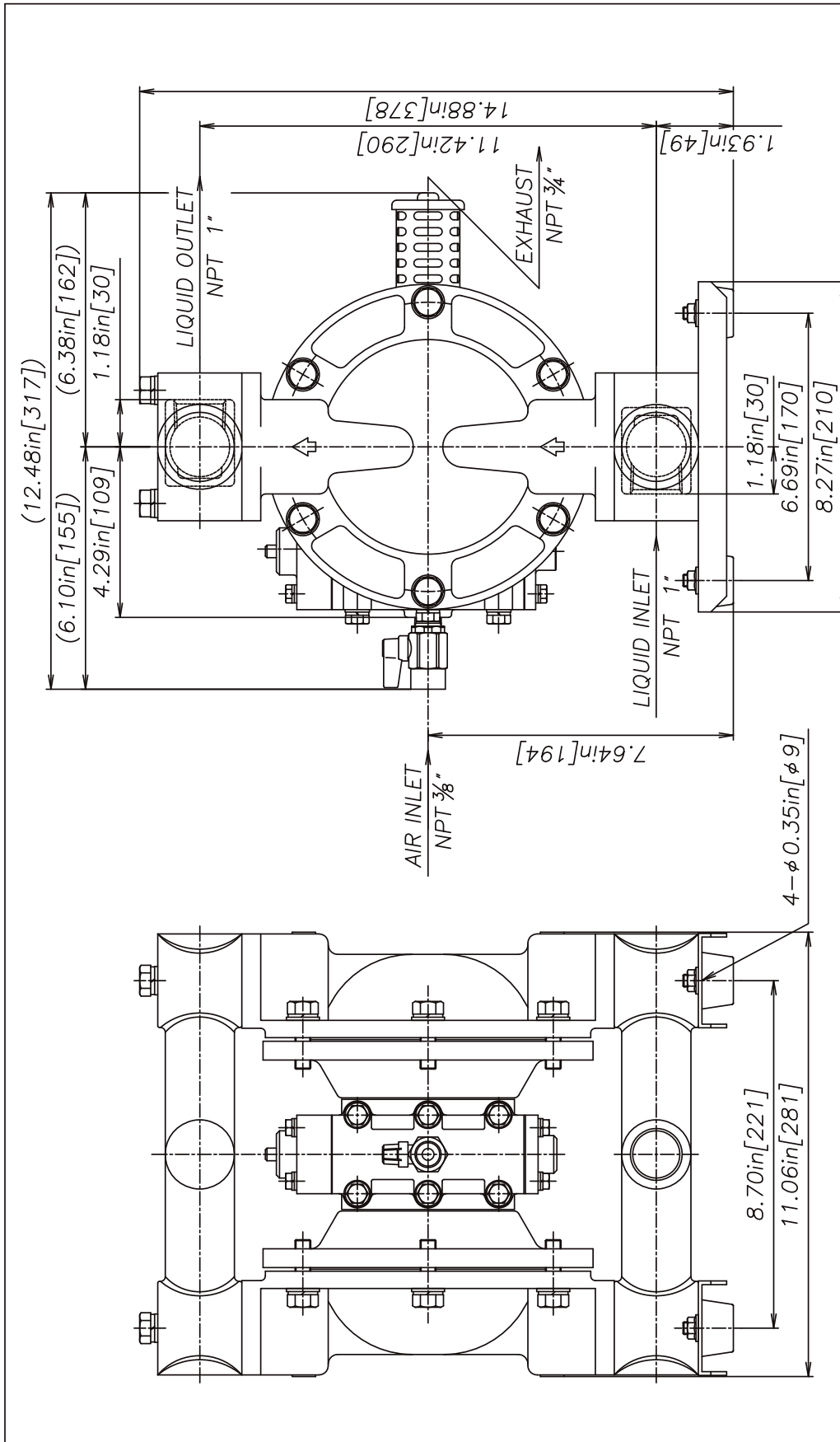
| REV | DATE | DESCRIPTION | APPR'D |
|-----|------|-------------|--------|
| | | | |

THE DWG. OF: **DIAPHRAGM PUMP ASSEMBLY**

SCALE: 1 : 1 DRAWN BY: YJI
DATE: 02/02/06 APPROVED BY: S.K.

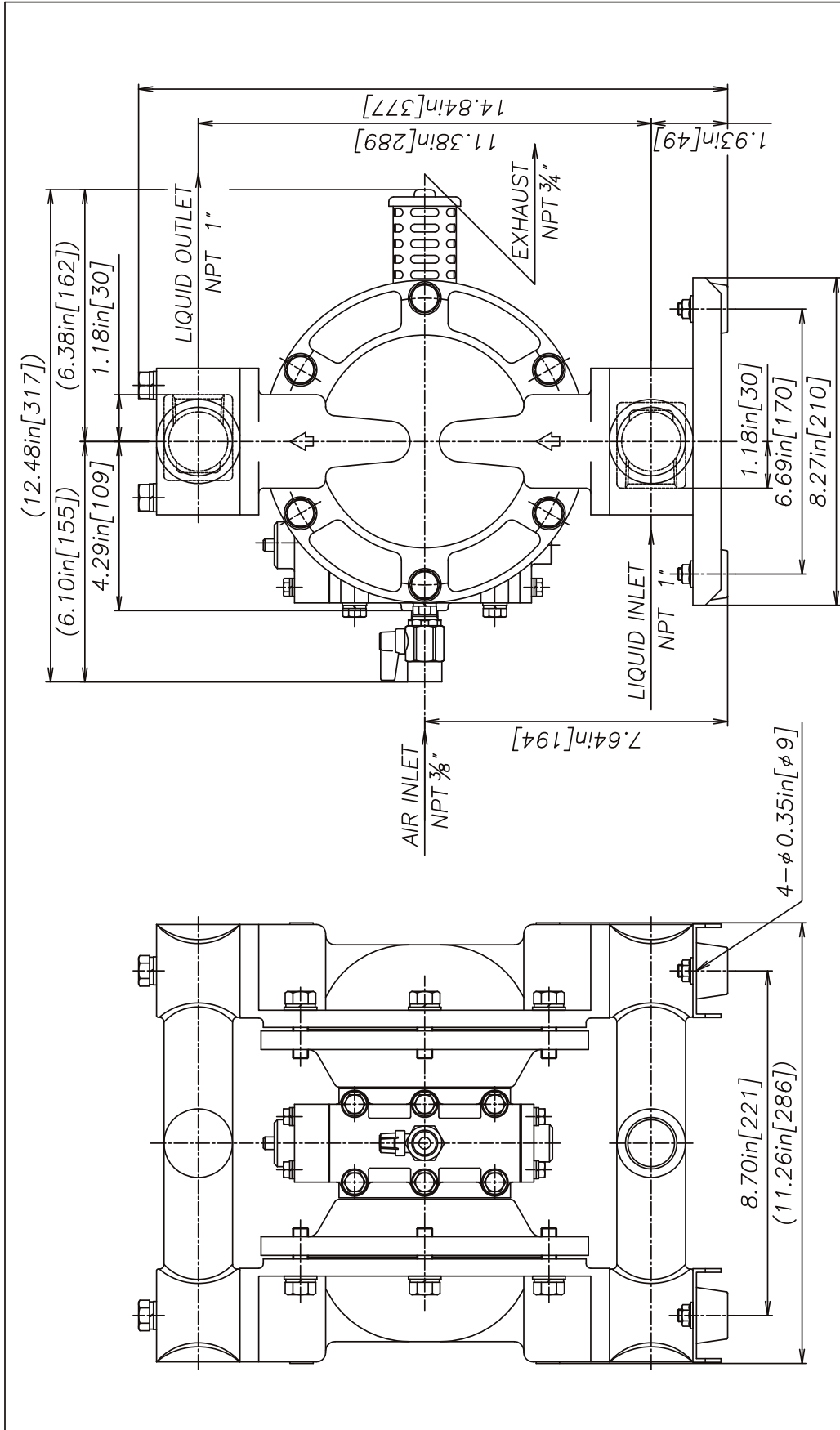
THIRD ANGLE PROJ. DRAWING NUMBER: **NDP-25BA** REV: **0**

YAMADA AMERICA, INC.
1200 NUCLEAR DRIVE - WEST CHICAGO, ILLINOIS 60185
TOLL FREE 800-990-7867 OR 630-231-4083
THIS IS A CAD DRAWING AND MUST NOT BE ALTERED MANUALLY.



| REV | DATE | DESCRIPTION | APPR'D |
|--------------------------------|--------------------------|------------------|--------|
| THE DWG.OF: | | | |
| DIAPHRAGM PUMP ASSEMBLY | | | |
| SCALE 1 : 1 | | DRAWN BY YJI | |
| DATE 02/02/06 | | APPROVED BY S.K. | |
| THIRD ANG.PROJ. | DRAWING NUMBER: NDP-25BS | | REV 0 |

YAMADA AMERICA, INC.
 1200 NUCLEAR DRIVE - WEST CHICAGO, ILLINOIS 60185
 TOLL FREE 800-990-7867 OR 630-231-4083
 THIS IS A CAD DRAWING AND MUST NOT BE ALTERED MANUALLY.



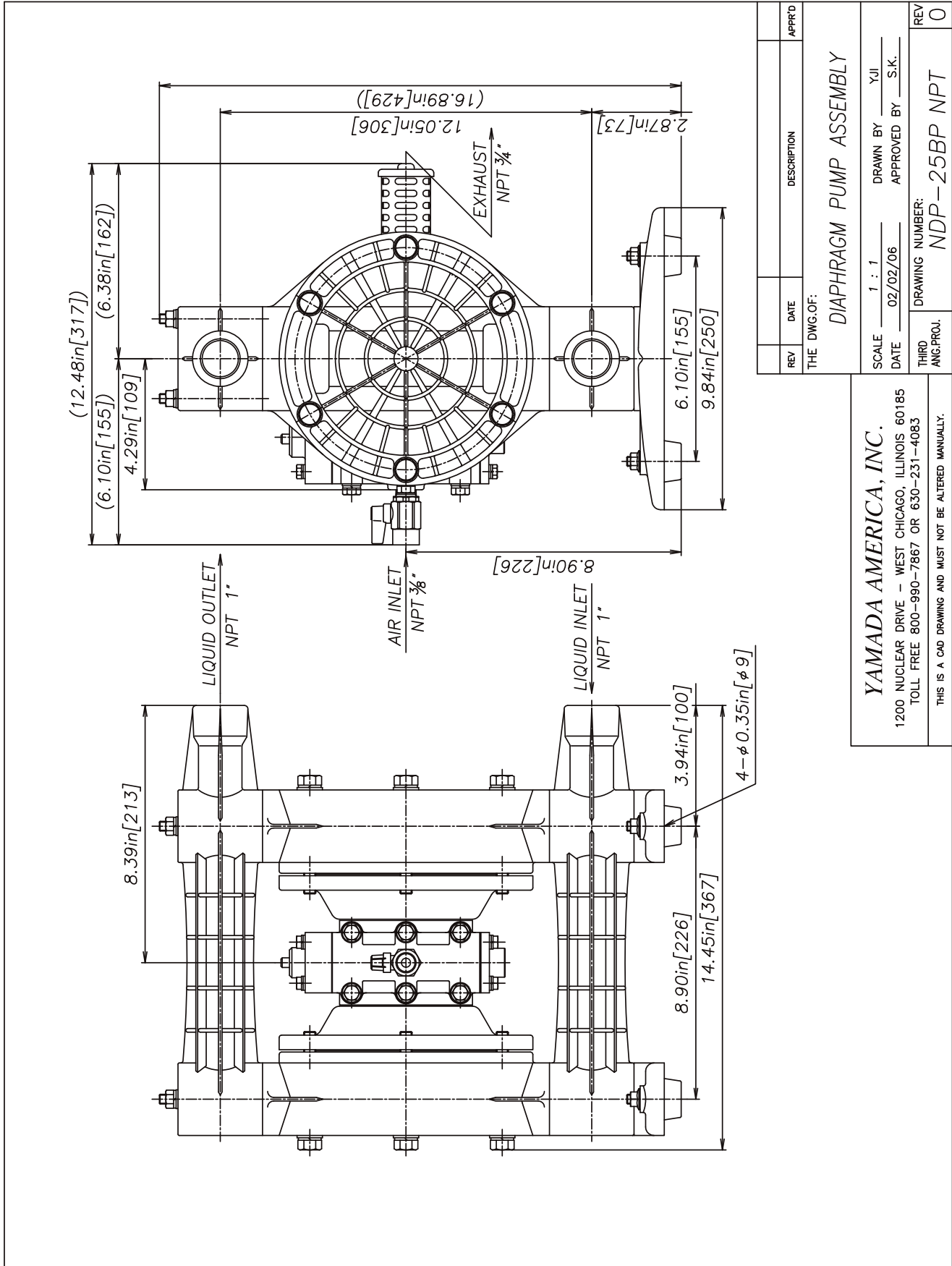
| REV | DATE | DESCRIPTION | APPR'D |
|-----|------|-------------|--------|
| | | | |

THE DWG. OF: **DIAPHRAGM PUMP ASSEMBLY**

SCALE: 1 : 1 DRAWN BY: YJI
DATE: 02/02/06 APPROVED BY: S.K.

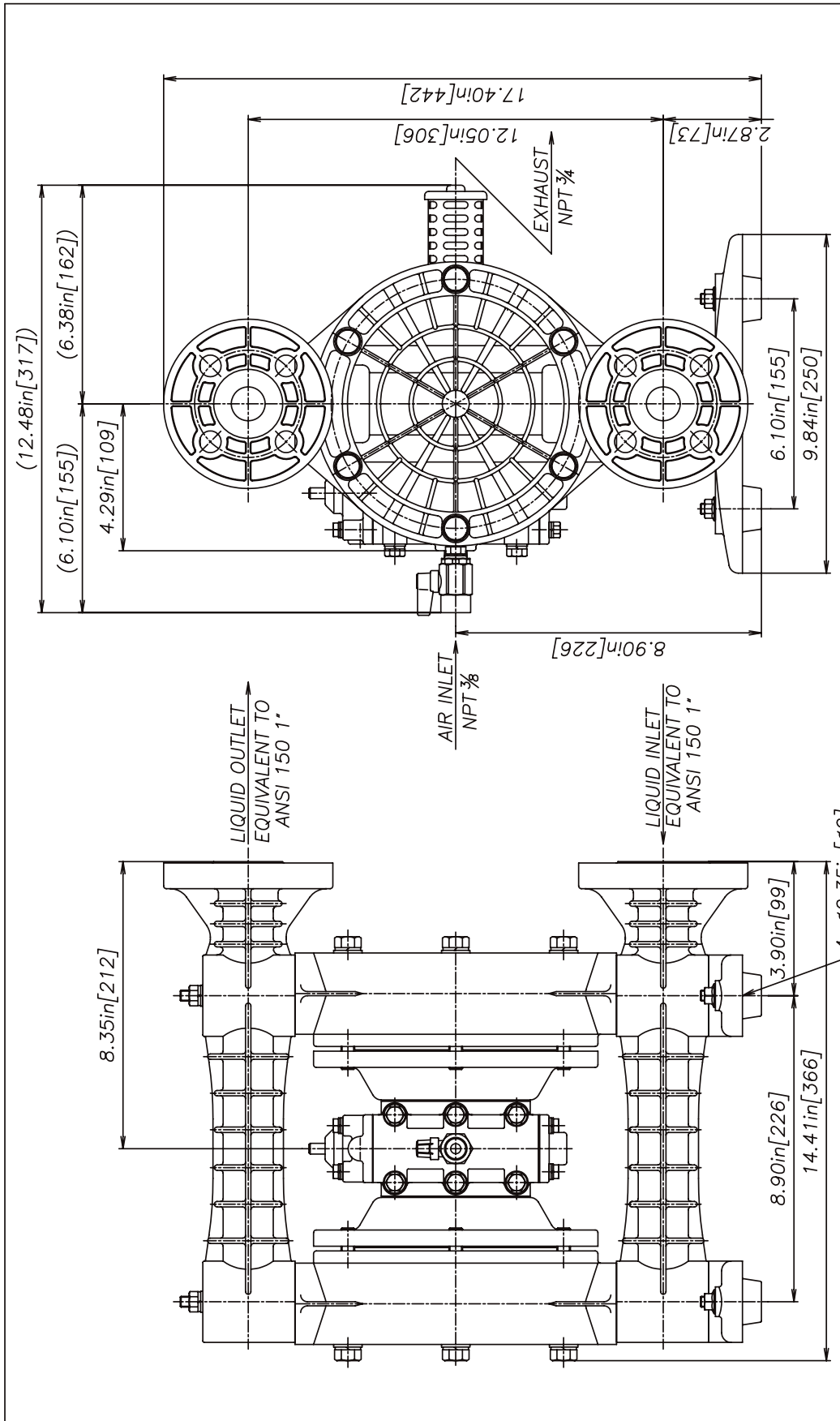
THIRD ANG. PROJ. DRAWING NUMBER: **NDP-25BF** REV: **0**

YAMADA AMERICA, INC.
1200 NUCLEAR DRIVE - WEST CHICAGO, ILLINOIS 60185
TOLL FREE 800-990-7867 OR 630-231-4083
THIS IS A CAD DRAWING AND MUST NOT BE ALTERED MANUALLY.



| | | | |
|--------------------------------|----------|-----------------|--------------|
| REV | DATE | DESCRIPTION | APPR'D |
| THE DWG. OF: | | | |
| DIAPHRAGM PUMP ASSEMBLY | | | |
| SCALE | 1 : 1 | DRAWN BY | YJI |
| DATE | 02/02/06 | APPROVED BY | S.K. |
| THIRD ANG. PROJ. | | DRAWING NUMBER: | NDP-25BP NPT |
| REV | | | 0 |

YAMADA AMERICA, INC.
 1200 NUCLEAR DRIVE - WEST CHICAGO, ILLINOIS 60185
 TOLL FREE 800-990-7867 OR 630-231-4083
 THIS IS A CAD DRAWING AND MUST NOT BE ALTERED MANUALLY.

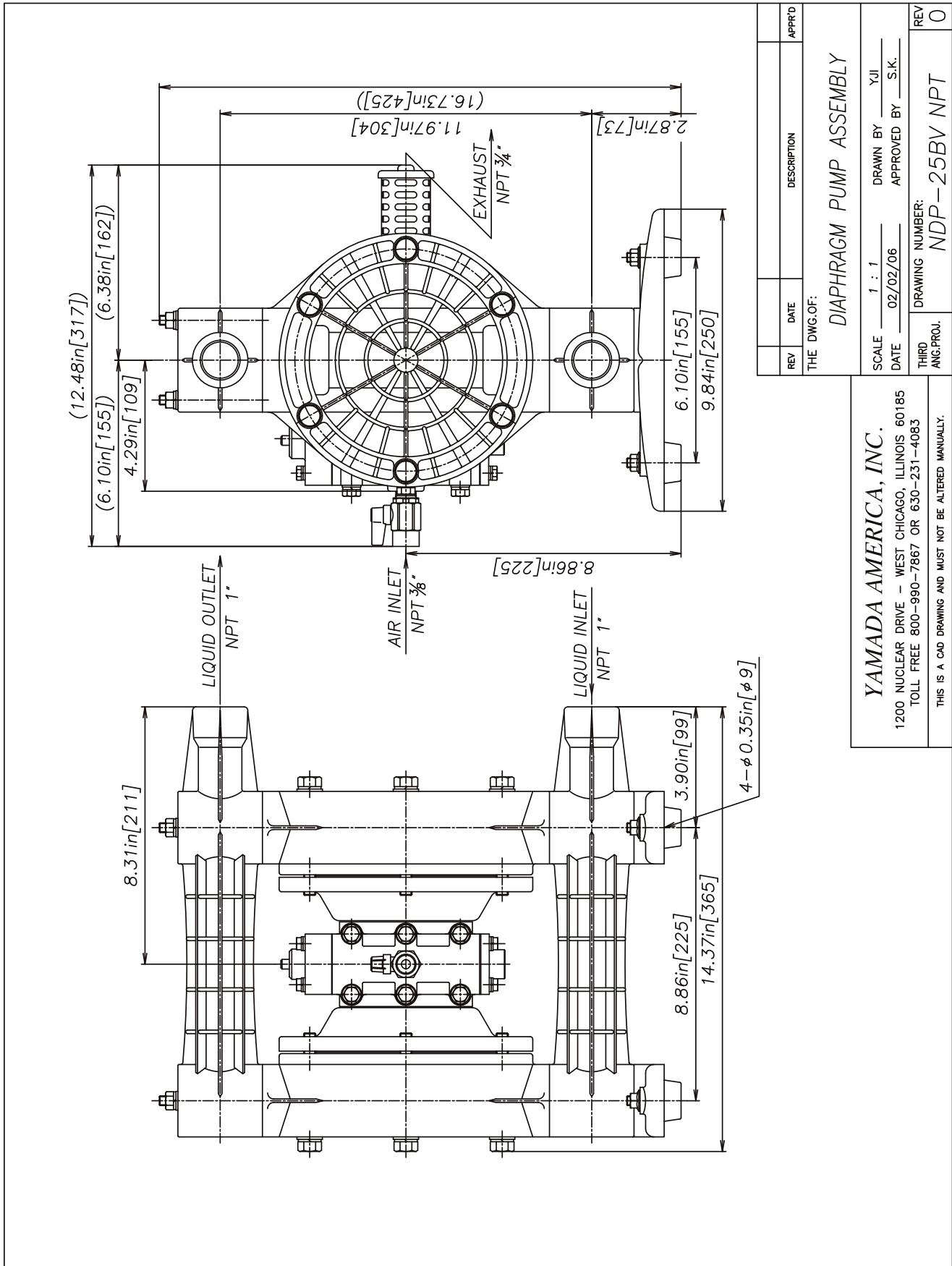


| REV | DATE | DESCRIPTION | APPR'D |
|-----|------|-------------|--------|
| | | | |

THE DWG. OF: **DIAPHRAGM PUMP ASSEMBLY**

| | | | |
|-------------------|--|-------------|------|
| SCALE | 1 : 1 | DRAWN BY | YJI |
| DATE | 02/02/06 | APPROVED BY | S.K. |
| THIRD ANGLE PROJ. | DRAWING NUMBER: NDP-25BP FLANGE | | |
| REV | 0 | | |

YAMADA AMERICA, INC.
 1200 NUCLEAR DRIVE - WEST CHICAGO, ILLINOIS 60185
 TOLL FREE 800-990-7867 OR 630-231-4083
 THIS IS A CAD DRAWING AND MUST NOT BE ALTERED MANUALLY.



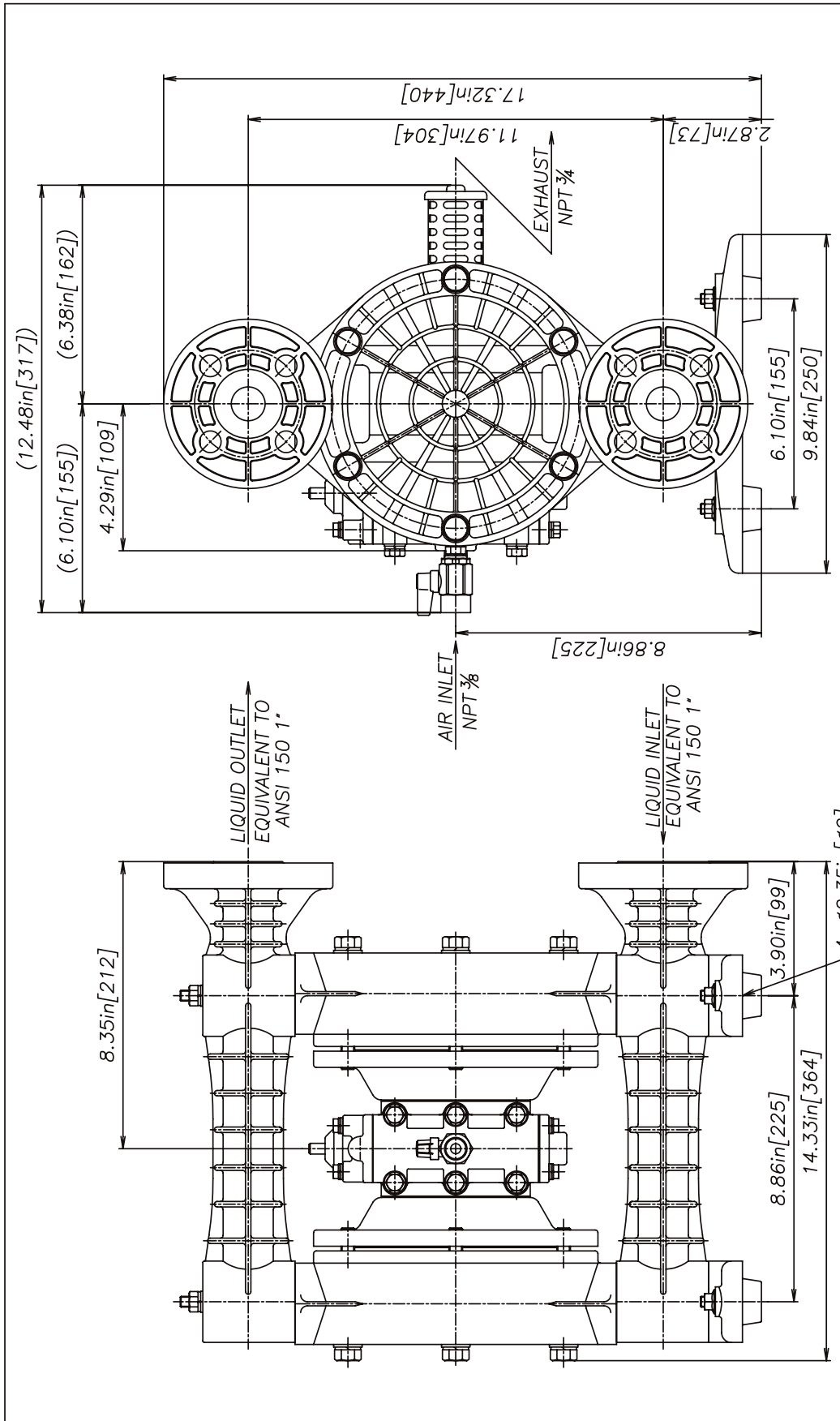
| REV | DATE | DESCRIPTION | APPR'D |
|-----|------|-------------|--------|
| | | | |

THE DWG. OF: **DIAPHRAGM PUMP ASSEMBLY**

SCALE: 1 : 1 DRAWN BY: YJI
DATE: 02/02/06 APPROVED BY: S.K.

THIRD ANG. PROJ. DRAWING NUMBER: **NDP-25BV NPT** REV: **0**

YAMADA AMERICA, INC.
1200 NUCLEAR DRIVE - WEST CHICAGO, ILLINOIS 60185
TOLL FREE 800-990-7867 OR 630-231-4083
THIS IS A CAD DRAWING AND MUST NOT BE ALTERED MANUALLY.



| REV | DATE | DESCRIPTION | APPR'D |
|-----|------|-------------|--------|
| | | | |

THE DWG. OF: **DIAPHRAGM PUMP ASSEMBLY**

| | | | |
|------------------|----------|-----------------|-----------------|
| SCALE | 1 : 1 | DRAWN BY | YJI |
| DATE | 02/02/06 | APPROVED BY | S.K. |
| THIRD ANG. PROJ. | | DRAWING NUMBER: | NDP-25BV FLANGE |
| REV | | | 0 |

YAMADA AMERICA, INC.
 1200 NUCLEAR DRIVE - WEST CHICAGO, ILLINOIS 60185
 TOLL FREE 800-990-7867 OR 630-231-4083
 THIS IS A CAD DRAWING AND MUST NOT BE ALTERED MANUALLY.

AutoCAD® is a registered trademark of Autodesk, Inc.

Hytrel® is a registered trademark of E.I. du Pont de Nemours and Company.

Kynar® is a registered trademark of Arkema.

Nordel™ is a trademark of DuPont Dow Elastomers.

Ryton® is a registered trademark of Chevron Phillips Chemical Company.

Santoprene® is a registered trademark of Advanced Elastomer Systems.

Swagelok® & VCR® are trademarks of the Swagelok Companies.

Viton® is a registered trademark of DuPont Performance Elastomers.

Due to Yamada's continued commitment to product improvement, specifications may change without notice.