

NDP-25 Specifications

Port Dimensions (46.2 GPM Max.)

Intake & discharge connection:

Polypropylene (PPG)	1" Female NPT
Kynar® (PVDF)	1" Female NPT
Aluminum (ADC-12)	1" Female NPT
Stainless Steel (316)	1" Female NPT
Cast Iron	1" Female NPT
Air inlet (incl. ball valve):	3/8" Female NPT
Air exhaust (incl. silencer):	3/4" Female NPT

ANSI Flange also available — consult Yamada.

Maximum Liquid Temperature*

Diaphragm Material	Temperature
Buna N	180°F (82°C)
Neoprene	180°F (82°C)
Santoprene® (TPO)	180°F (82°C)
EPDM	212°F (100°C)
PTFE	212°F (100°C)
Hytrel® (TPEE)	248°F (120°C)
Viton® fluoroelastomer	248°F (120°C)

*The maximum liquid temperature for metal and Kynar®-fitted pumps is determined by the elastomer (diaphragm material). Polypropylene pumps have a maximum liquid temperature of 180°F (82°C) regardless of diaphragm material.

Air Supply Pressure (All Models)

20–100 PSI (1.4–7 kfg/cm)

Discharge Volume Per Cycle

Rubber diaphragm: 0.22 gallons (833 cc)

PTFE diaphragm: 0.21 gallons (787 cc)

Maximum Cycles Per Minute

Rubber diaphragm: 210

PTFE diaphragm: 210

Maximum Size Solid

3/16" (4.8 mm)

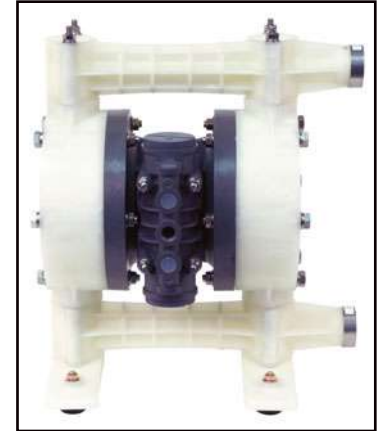
Maximum Dry Suction Lift

Rubber-fitted pump capability: 18-feet

Air Motors: Aluminum air motors are standard on metal pumps; glass-filled polypropylene air motors are standard on plastic and Kynar® pumps.

Optional: Split manifold—contact Yamada

Notes: Santoprene® fitted pumps include EPDM wetted o-rings. Kynar® (PVDF) pumps fitted with Santoprene®, Hytrel®, or PTFE include PTFE check balls & o-rings. Kynar®/EPDM fitted pumps include EPDM check balls & o-rings. Viton® fitted pumps include Viton® balls & o-rings.



Aluminum

Dimensions: 11.30" W × 15.08" H

Net Wt.: 27 lbs. (13.0 kg)

Shipping Wt.: 31 lbs.

Kynar® (PVDF)

ANSI Flange Dimensions:

14.40" W × 17.40" H

NPT Dimensions:

14.40" W × 16.90" H

Net Wt.: 29.7 lbs. (13.4 kg)

Shipping Wt.: 33 lbs.

Polypropylene

ANSI Flange Dimensions:

14.40" W × 17.40" H

NPT Dimensions:

14.40" W × 16.90" H

Net Wt.: 29 lbs. (10.9 kg)

Shipping Wt.: 30 lbs.

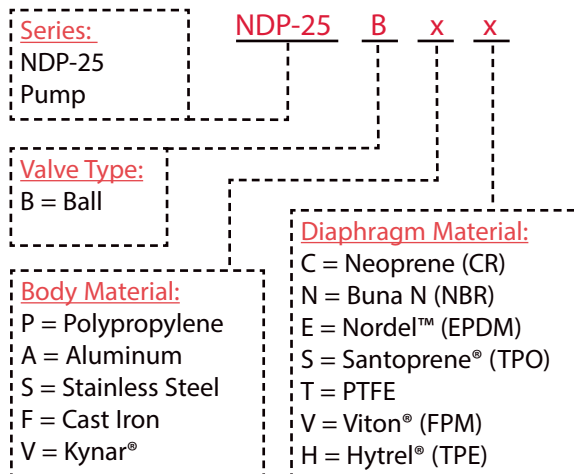
Cast Iron or S.S.

Dimensions: 11.30" W × 15.08" H

Net Wt.: 43 lbs. (19.9 kg)

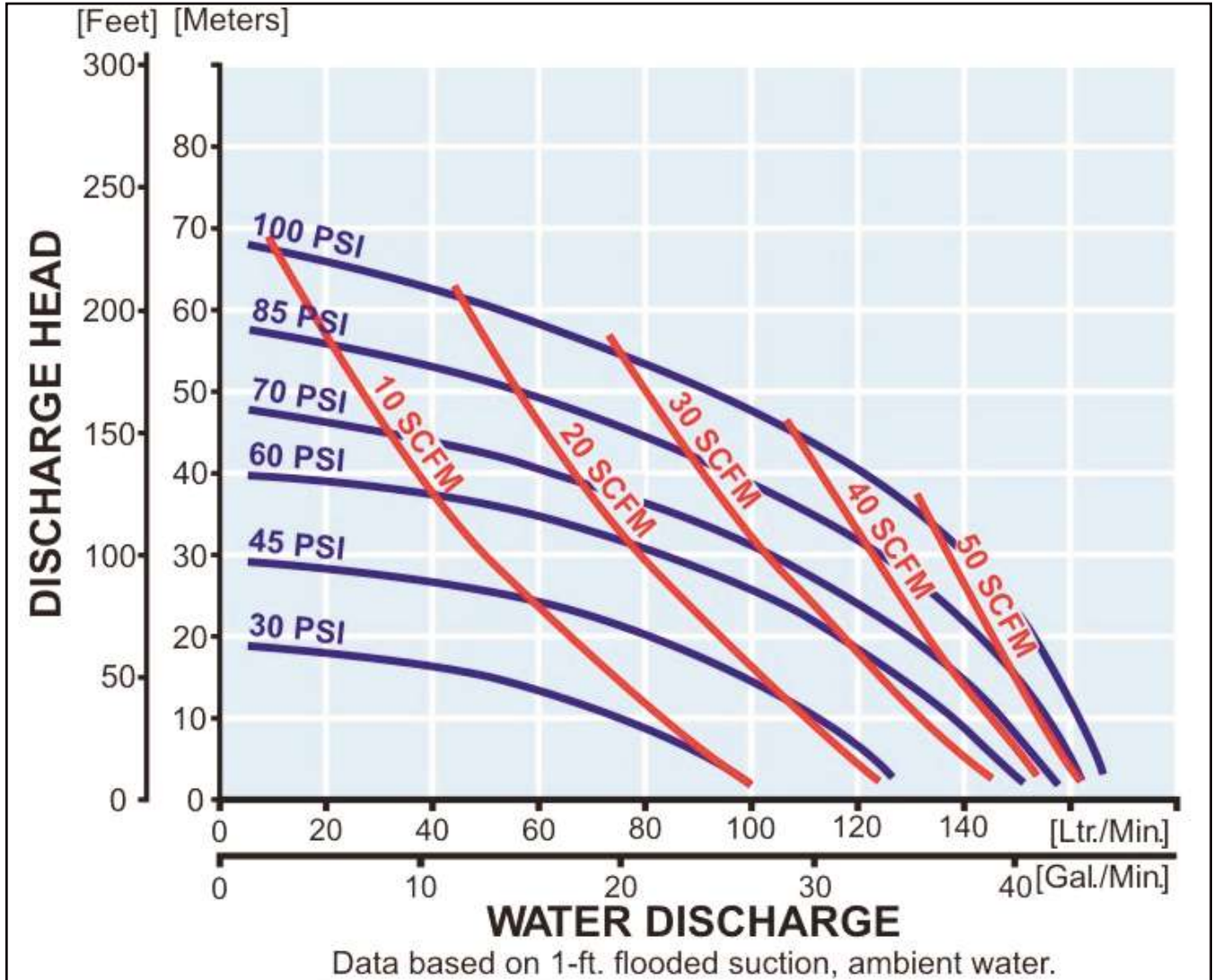
Ship Wt.: 46 lbs.

Model Number Nomenclature



NDP-25 Performance Curve – Rubber

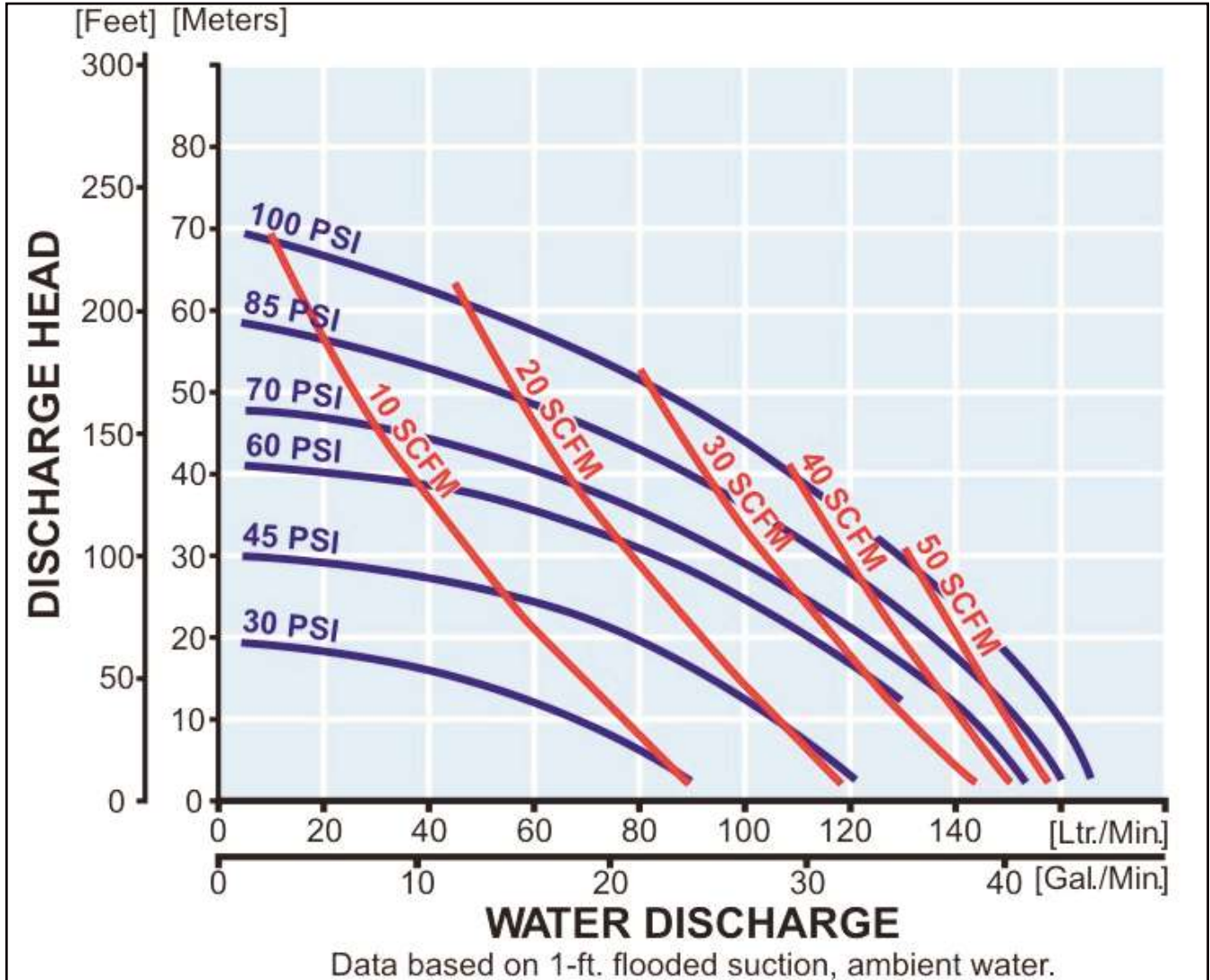
Rubber Diaphragm Performance Curve



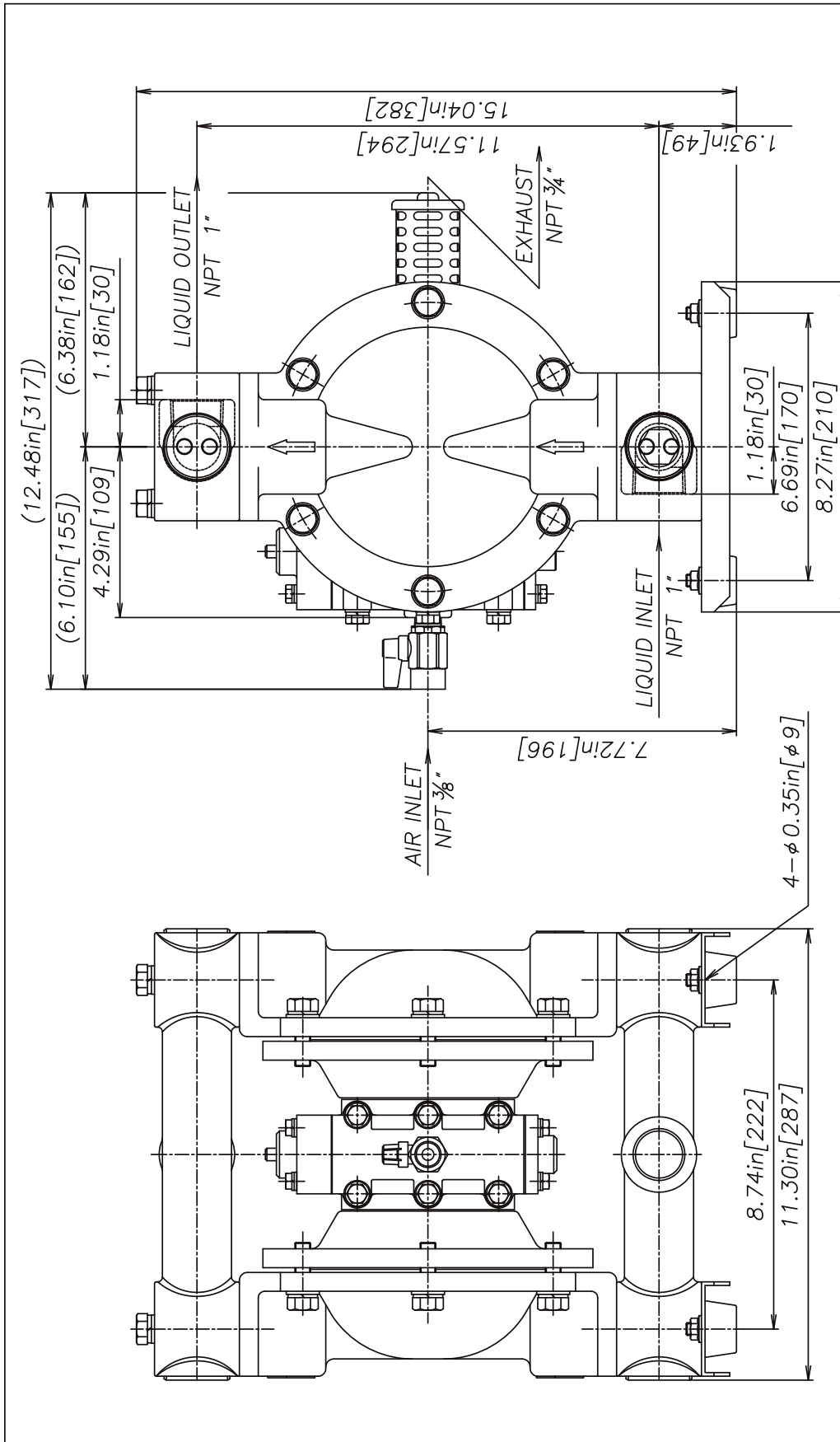
To calculate performance for Santoprene® and Hytrel®-fitted pumps, use Rubber Diaphragm Curve.

NDP-25 Performance Curve – PTFE

PTFE Diaphragm Performance Curve



To calculate performance for Santoprene® and Hytrel®-fitted pumps, use Rubber Diaphragm Curve.



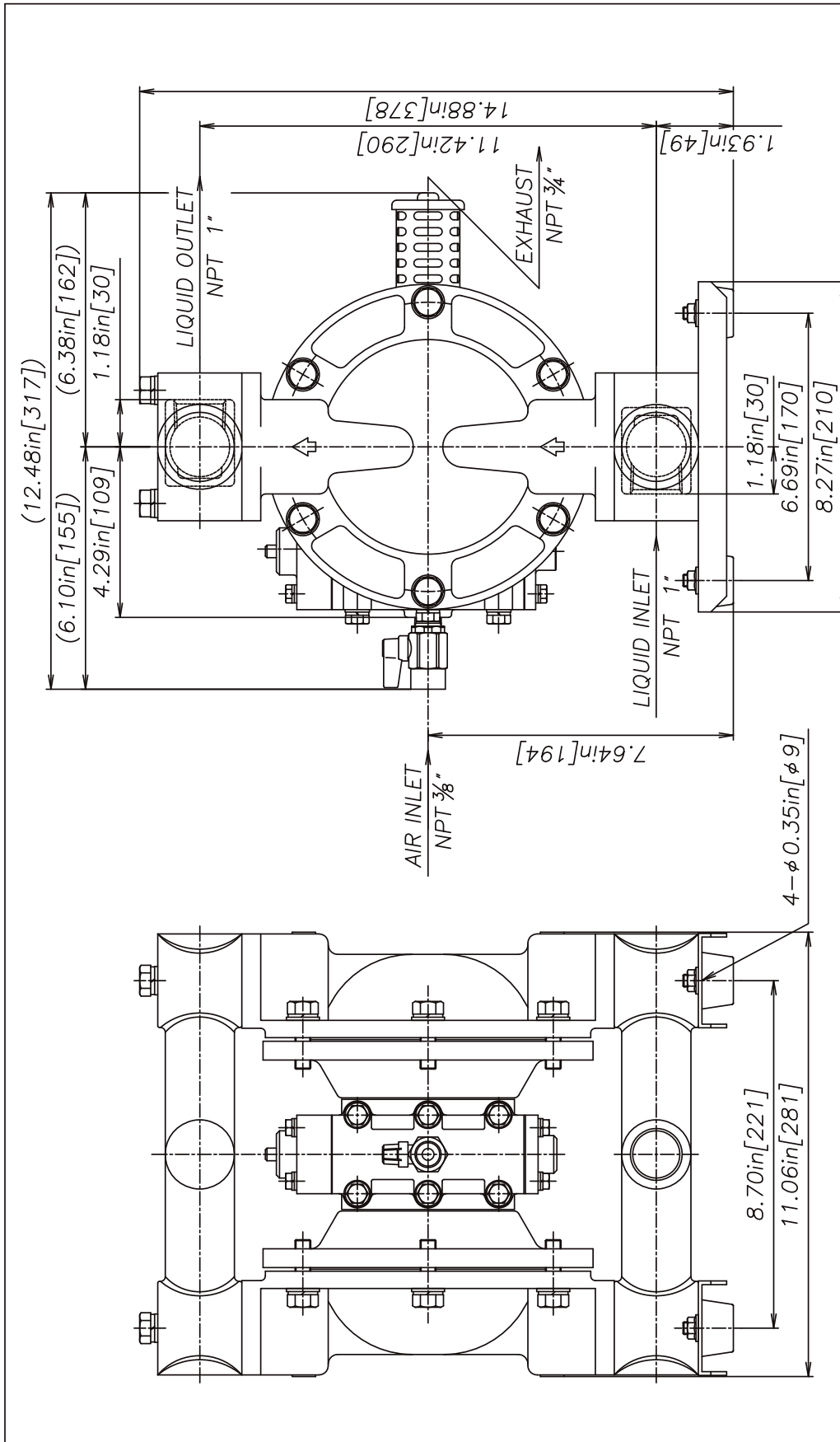
REV	DATE	DESCRIPTION	APPR'D

THE DWG. OF: **DIAPHRAGM PUMP ASSEMBLY**

SCALE: 1 : 1 DRAWN BY: YJI
DATE: 02/02/06 APPROVED BY: S.K.

THIRD ANG. PROJ. DRAWING NUMBER: **NDP-25BA** REV: **0**

YAMADA AMERICA, INC.
1200 NUCLEAR DRIVE - WEST CHICAGO, ILLINOIS 60185
TOLL FREE 800-990-7867 OR 630-231-4083
THIS IS A CAD DRAWING AND MUST NOT BE ALTERED MANUALLY.



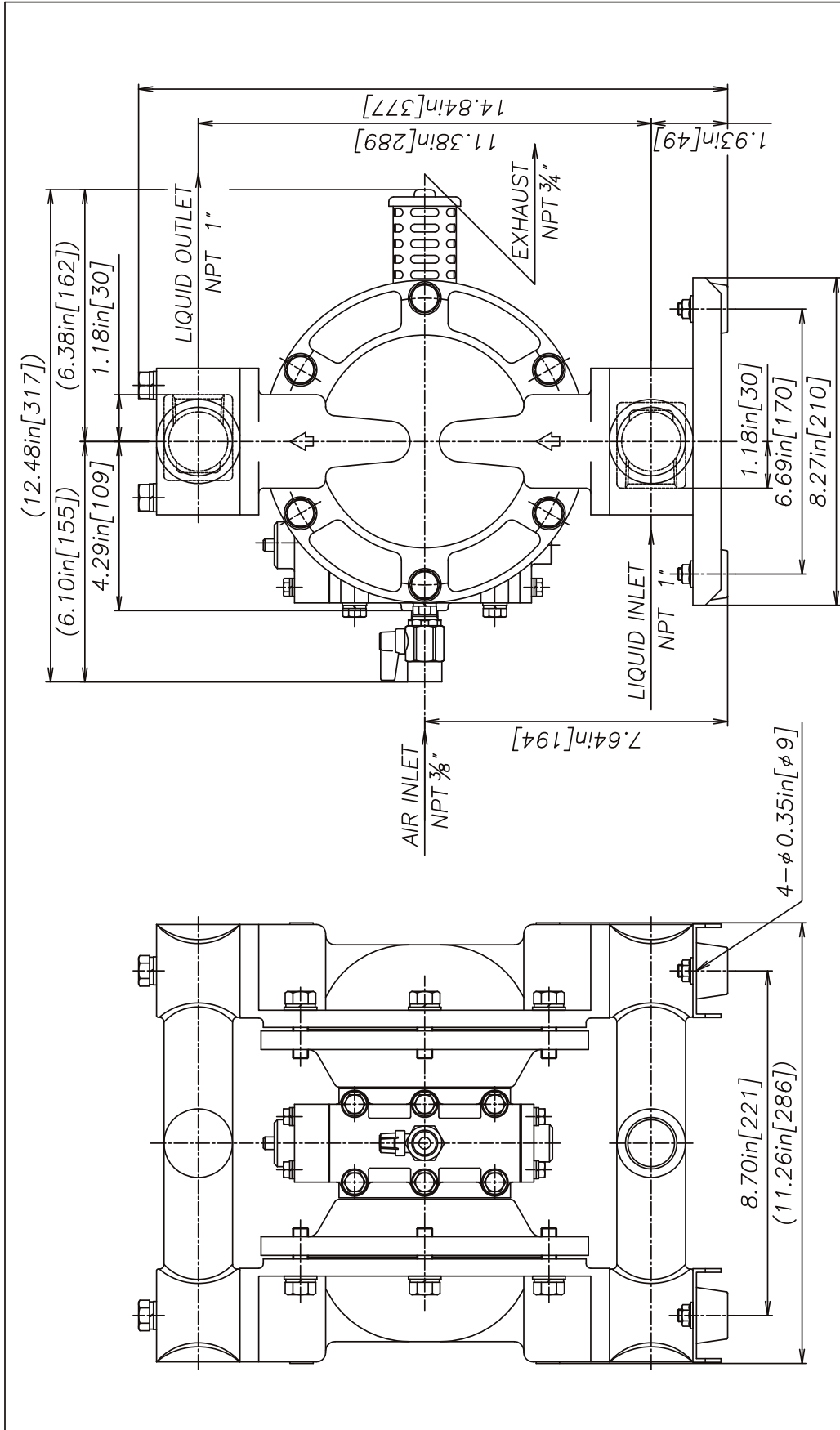
REV	DATE	DESCRIPTION	APPR'D

THE DWG. OF: **DIAPHRAGM PUMP ASSEMBLY**

SCALE: 1 : 1 DRAWN BY: YJI
DATE: 02/02/06 APPROVED BY: S.K.

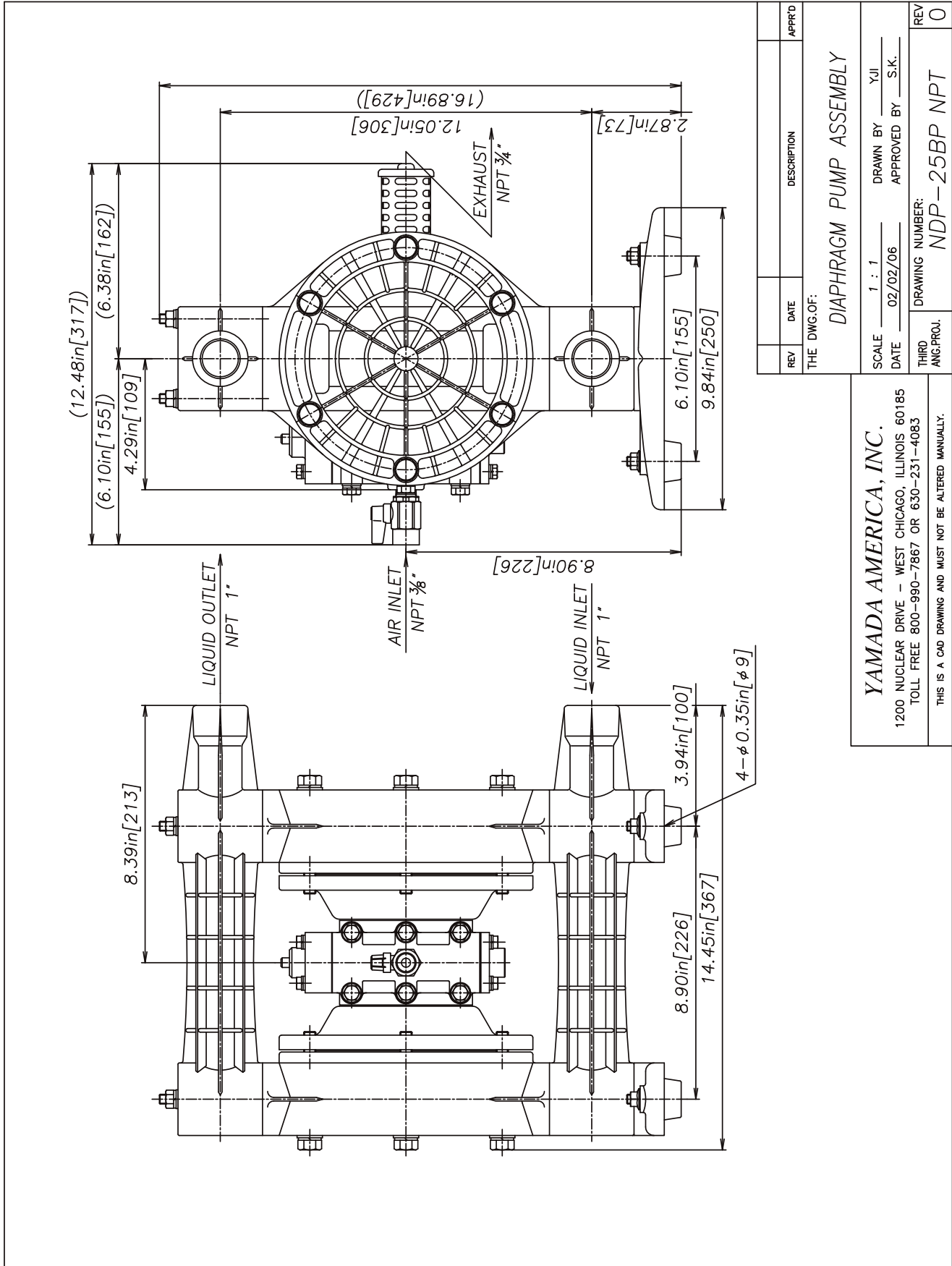
THIRD ANG. PROJ. DRAWING NUMBER: **NDP-25BS** REV: **0**

YAMADA AMERICA, INC.
1200 NUCLEAR DRIVE - WEST CHICAGO, ILLINOIS 60185
TOLL FREE 800-990-7867 OR 630-231-4083
THIS IS A CAD DRAWING AND MUST NOT BE ALTERED MANUALLY.



REV	DATE	DESCRIPTION	APPR'D
THE DWG. OF:			
DIAPHRAGM PUMP ASSEMBLY			
SCALE 1 : 1		DRAWN BY YJI	
DATE 02/02/06		APPROVED BY S.K.	
THIRD ANG. PROJ.	DRAWING NUMBER: NDP-25BF		REV 0

YAMADA AMERICA, INC.
 1200 NUCLEAR DRIVE - WEST CHICAGO, ILLINOIS 60185
 TOLL FREE 800-990-7867 OR 630-231-4083
 THIS IS A CAD DRAWING AND MUST NOT BE ALTERED MANUALLY.

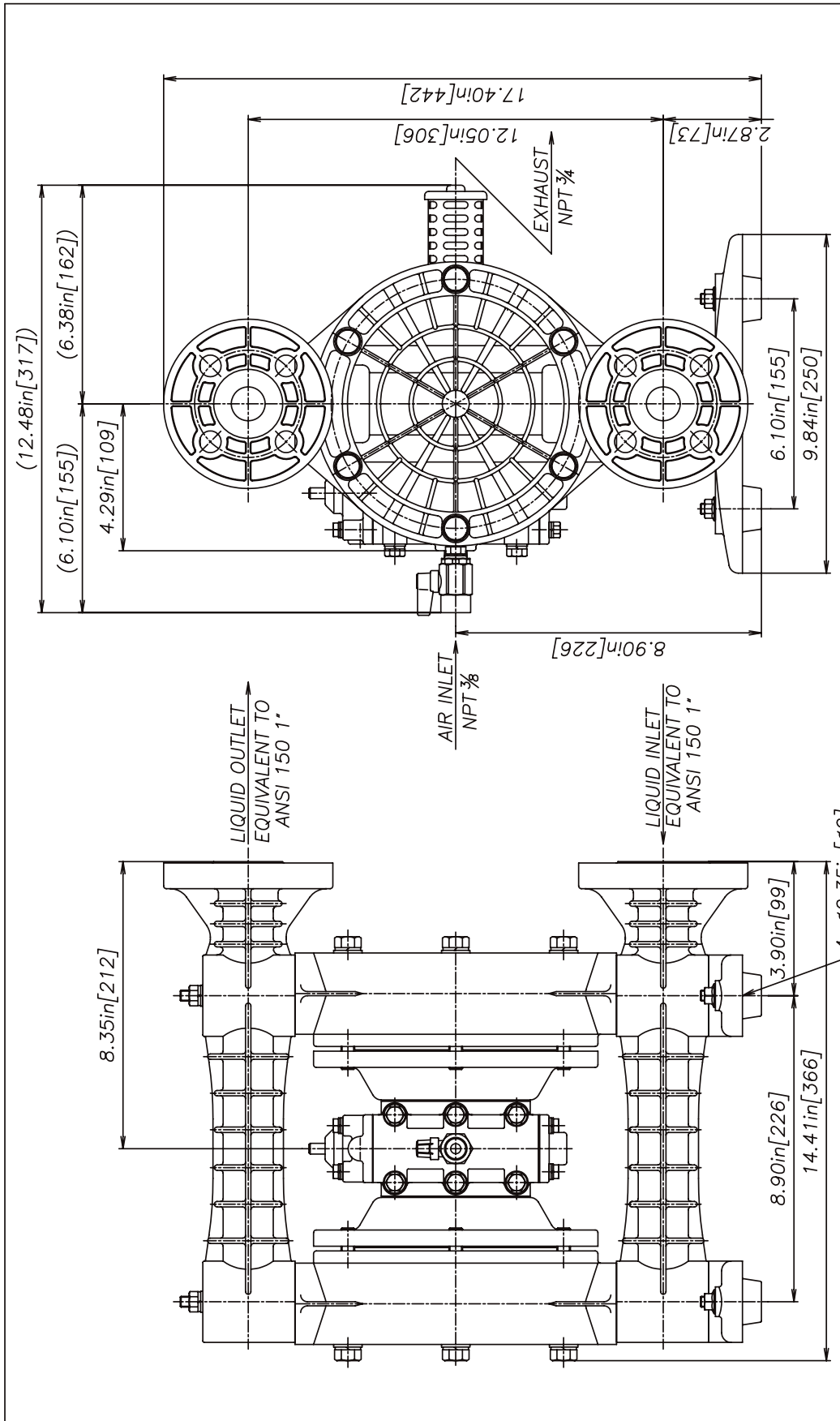


REV	DATE	DESCRIPTION	APPR'D
		DIAPHRAGM PUMP ASSEMBLY	

THE DWG.OF:

SCALE 1 : 1 DRAWN BY YJI
DATE 02/02/06 APPROVED BY S.K.
THIRD ANG.PROJ. DRAWING NUMBER: NDP-25BP NPT
REV 0

YAMADA AMERICA, INC.
1200 NUCLEAR DRIVE - WEST CHICAGO, ILLINOIS 60185
TOLL FREE 800-990-7867 OR 630-231-4083
THIS IS A CAD DRAWING AND MUST NOT BE ALTERED MANUALLY.

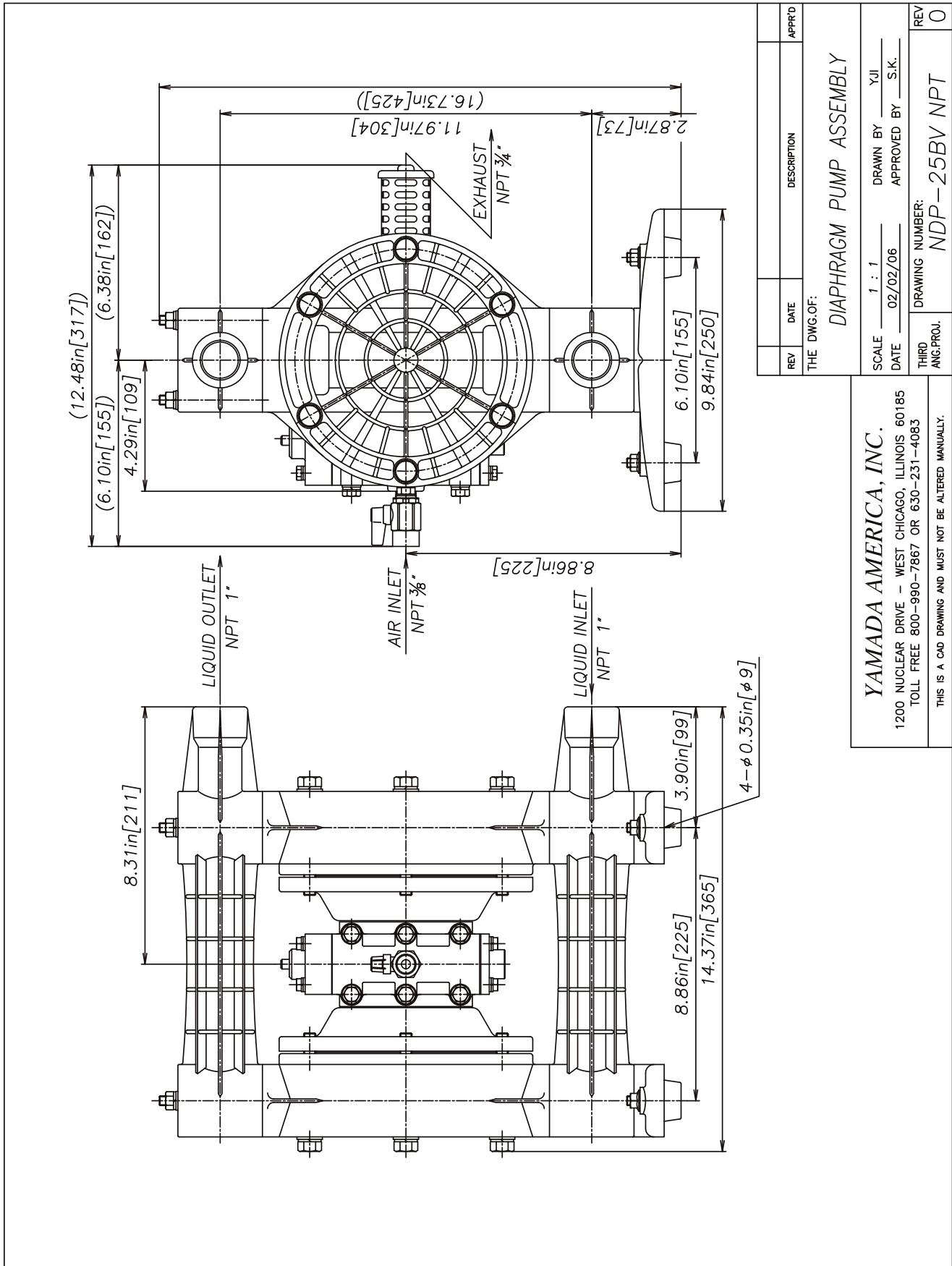


REV	DATE	DESCRIPTION	APPR'D

THE DWG. OF: **DIAPHRAGM PUMP ASSEMBLY**

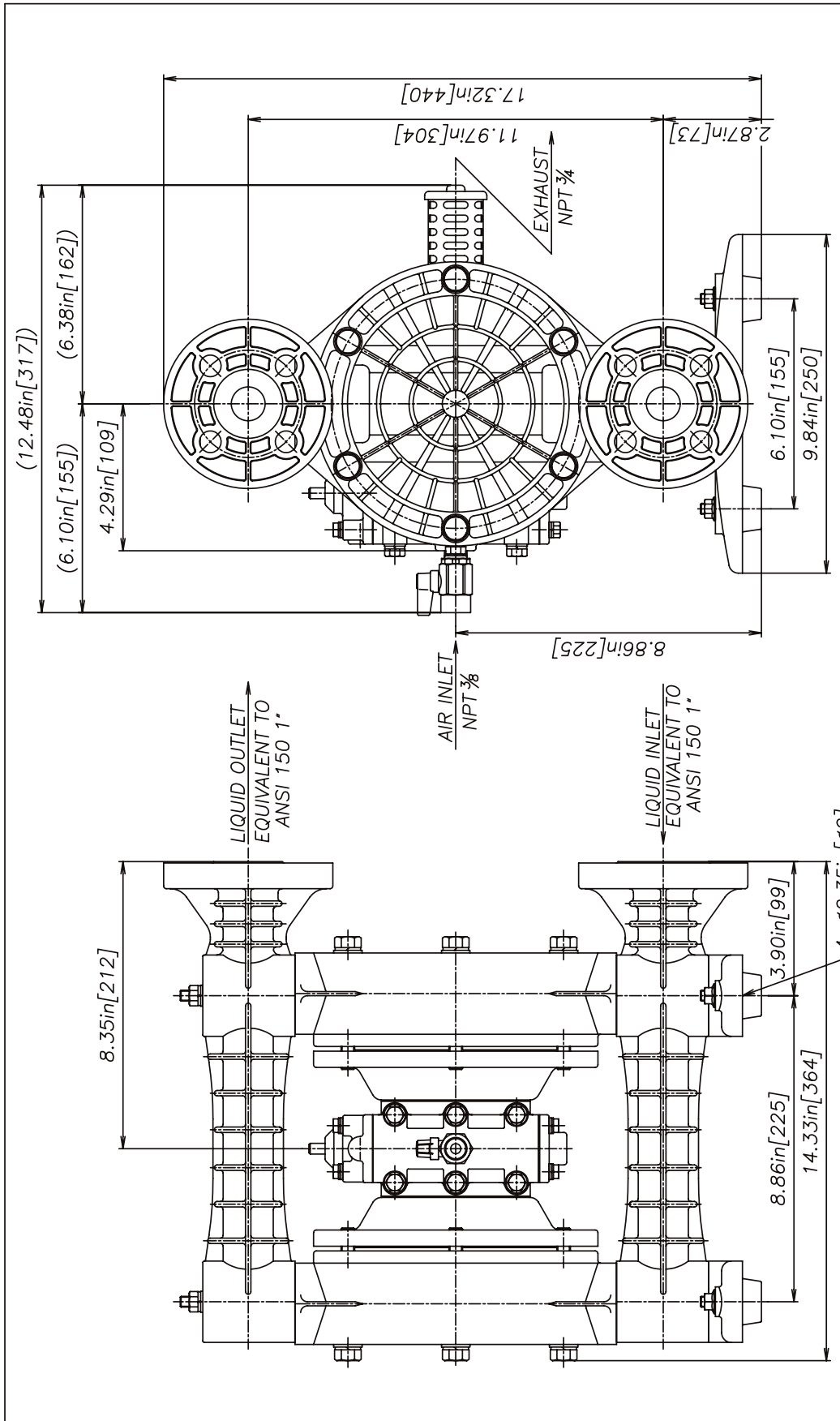
SCALE	1 : 1	DRAWN BY	YJI
DATE	02/02/06	APPROVED BY	S.K.
THIRD ANG. PROJ.	DRAWING NUMBER: NDP-25BP FLANGE		
REV	0		

YAMADA AMERICA, INC.
 1200 NUCLEAR DRIVE - WEST CHICAGO, ILLINOIS 60185
 TOLL FREE 800-990-7867 OR 630-231-4083
 THIS IS A CAD DRAWING AND MUST NOT BE ALTERED MANUALLY.



REV	DATE	DESCRIPTION	APPR'D
THE DWG. OF:			
DIAPHRAGM PUMP ASSEMBLY			
SCALE	1 : 1	DRAWN BY	YJI
DATE	02/02/06	APPROVED BY	S.K.
THIRD ANG. PROJ.		DRAWING NUMBER:	NDP-25BV NPT
REV			0

YAMADA AMERICA, INC.
 1200 NUCLEAR DRIVE - WEST CHICAGO, ILLINOIS 60185
 TOLL FREE 800-990-7867 OR 630-231-4083
 THIS IS A CAD DRAWING AND MUST NOT BE ALTERED MANUALLY.



REV	DATE	DESCRIPTION	APPR'D

THE DWG. OF: **DIAPHRAGM PUMP ASSEMBLY**

SCALE	1 : 1	DRAWN BY	YJI
DATE	02/02/06	APPROVED BY	S.K.
THIRD ANGLE PROJ.	DRAWING NUMBER: NDP-25BV FLANGE		
REV	0		

YAMADA AMERICA, INC.
 1200 NUCLEAR DRIVE - WEST CHICAGO, ILLINOIS 60185
 TOLL FREE 800-990-7867 OR 630-231-4083
 THIS IS A CAD DRAWING AND MUST NOT BE ALTERED MANUALLY.

AutoCAD® is a registered trademark of Autodesk, Inc.

Hytrel® is a registered trademark of E.I. du Pont de Nemours and Company.

Kynar® is a registered trademark of Arkema.

Nordel™ is a trademark of DuPont Dow Elastomers.

Ryton® is a registered trademark of Chevron Phillips Chemical Company.

Santoprene® is a registered trademark of Advanced Elastomer Systems.

Swagelok® & VCR® are trademarks of the Swagelok Companies.

Viton® is a registered trademark of DuPont Performance Elastomers.

Due to Yamada's continued commitment to product improvement, specifications may change without notice.